



BACKLOADER

PREPARE TO RIDE

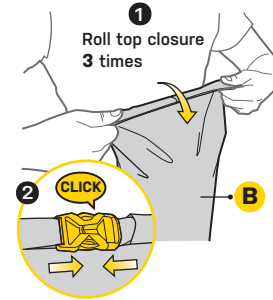
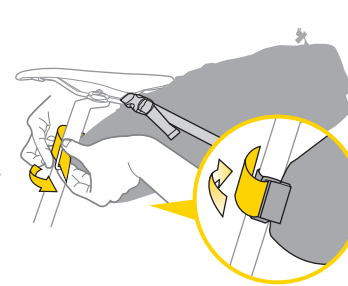
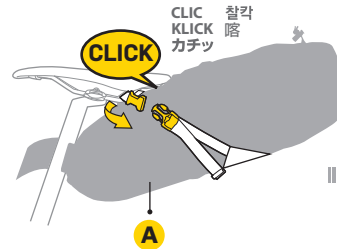
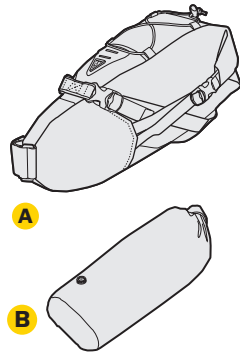
INSTALLATION

INSTALLATION / INSTALACIÓN / INSTALLAZIONE / MONTAJ / 取付方法 / 장착하기 / 安裝步驟說明

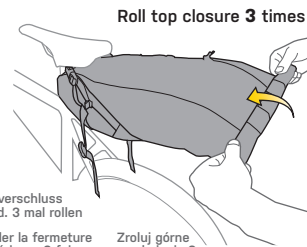
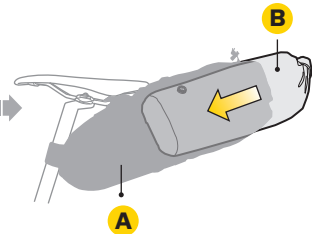
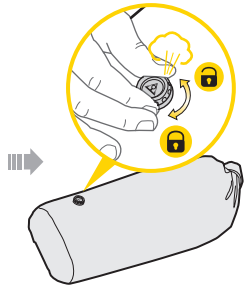
EN DE FR ES IT PL JP KR CH



6L / 10L / 15L

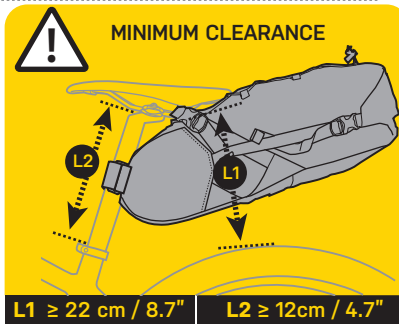
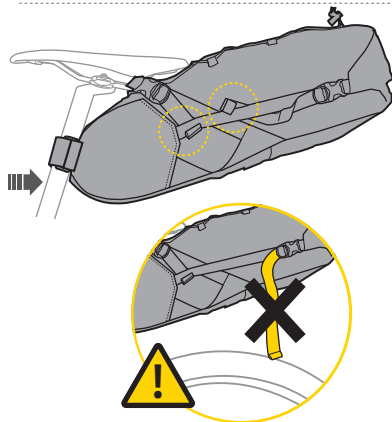
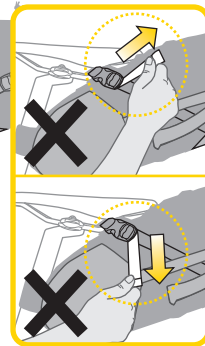
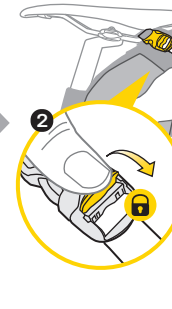
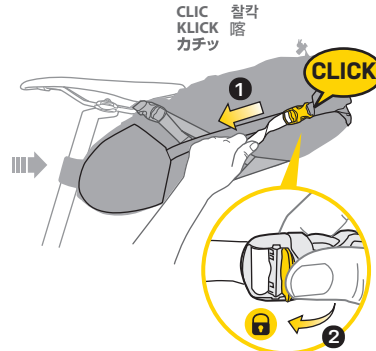


Rollverschluss mind. 3 mal rollen
Rouler la fermeture supérieure 3 fois
Plegar hasta 3 veces para cerrar
giurare 3 volte per chiudere olte
Zroluj górne zamknięcie 3 razy
バック開口部を3回折り込んでください。
롤담 부분을3번 접기
將封口向内捲3次



Rollverschluss mind. 3 mal rollen
Rouler la fermeture supérieure 3 fois
Plegar hasta 3 veces para cerrar
giurare 3 volte per chiudere olte

Zroluj górne zamknięcie 3 razy
バック開口部を3回折り込んでください。
롤담 부분을3번 접기
將封口向内捲3次



Minimaler Abstand
Dégagement minimal
Mínima Holgura
Spazio minimo

Minimalny prześwit
最小クリアランス
타이어 최소 간격
最小間隙範圍

OPTIONAL ACCESSORIES

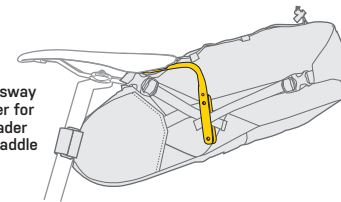
OPCIONALES ZUBEHÖR / ACCESSOIRES

OPTIONNELS / ACCESORIOS OPCIONALES / ACCESSORI OPZIONALI / OPCJONALNE AKCESORIA / オプション アクセサリー / 별도 구매 용품 / 其他功能選配商品

BACKLOADER WISHBONE



An anti-sway stabilizer for BackLoader series saddle bags.



Verhindert seitliche Pendelbewegungen von BackLoader Satteltaschen

Un estabilizador anti-balanceo para bolsos de la serie BackLoader.

Un stabilisateur pour les sacoches de la série BackLoader.

Stabilizzatore anti-oscillazione per la serie di borse sottosella BackLoader.

Stabilizator do toreb podsiodłowych z serii BackLoader.

バックローダーシリーズ対応 サドルバッグ用 横揺れ防止 スタビライザー。

BackLoader 시리즈 안정기방을 위한 흔들림 방지 보호대

BackLoader系列坐墊袋的防搖穩定器

WARRANTY

2-year Warranty: All electronic and mechanical components against manufacturer defects only.

Warranty Claim Requirements
To obtain warranty service, you must have your original sales receipt. Items returned without a sales receipt will assume that the warranty begins on the date of manufacture. All warranties will be void if the product is damaged due to user crash, abuse, system alteration, modification, or used in any way not intended as described in this manual.

* The specifications and design are subject to change without notice.
Please contact your Topeak dealer with any questions.
For USA customer service call: 1-800-250-3068
www.topeak.com